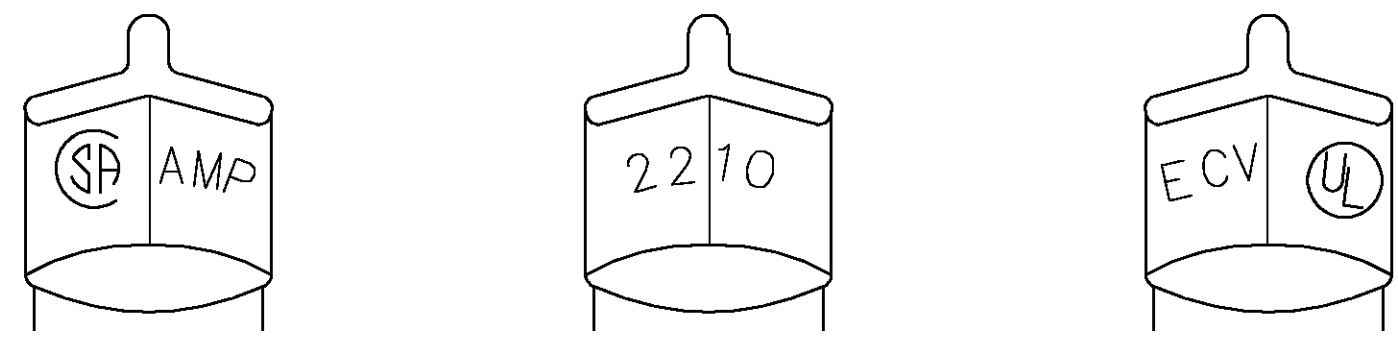


THIS DRAWING IS UNPUBLISHED. RELEASED FOR PUBLICATION
 © COPYRIGHT BY TYCO ELECTRONICS CORPORATION. ALL RIGHTS RESERVED.

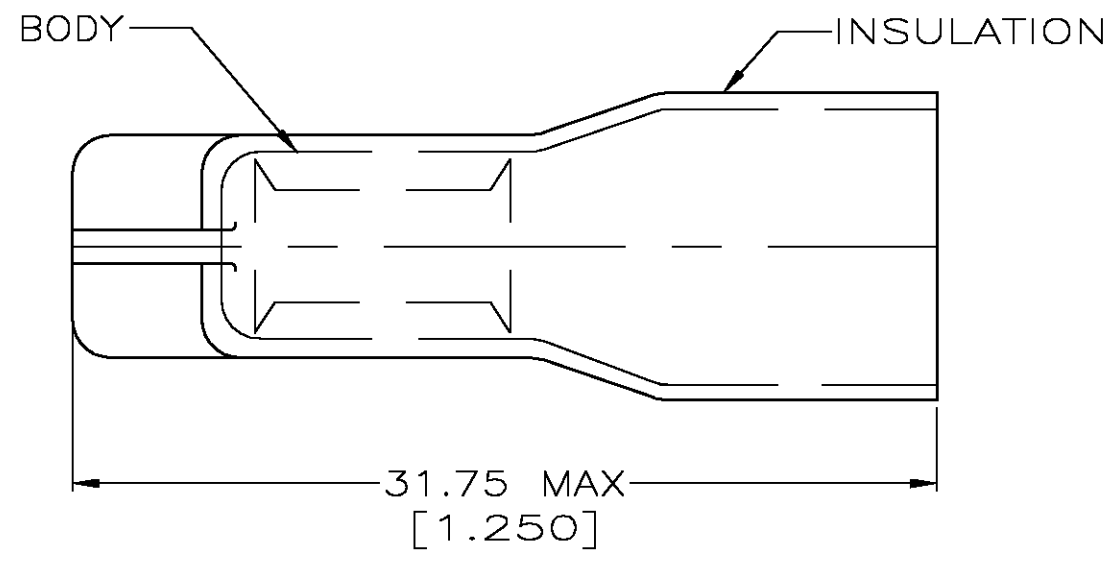
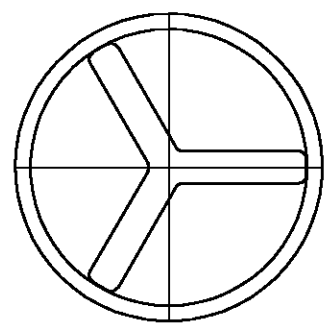
LOC	DIST	REVISIONS					
		P	LTR	DESCRIPTION	DATE	DWN	APVD
G	14		Y	REV PER 0G3A-0256-04	12APR04	JR	TM

- △1 FOR 9.14 [.360] MAX WIRE INSULATION DIA
- △2 MATERIAL: BODY; COPPER PER ASTM B152 INSULATION; PVC COLOR; PURPLE
- △3 FINISH: BODY; TIN PL. PER ASTM B545



STAMPING DETAIL

AMP WIRE RANGE	Listed	LR7189 Certified
22-10 AWG SOLID OR STRANDED	22-10 AWG SOLID OR STRANDED	22-10 AWG SOLID OR STRANDED



QTY	DESCRIPTION	PART NO
100	LOOSE PC,BOX	8-321519-1
1500	TAPE MOUNTED	2-321519-2
-	LOOSE PIECE	321519

AMP INCORPORATED CUSTOMER SERVICE SYSTEMS		MAX RECOMMENDED OPERATING TEMPERATURE: 105° C MAX	THIS DRAWING IS A CONTROLLED DOCUMENT.		DWN G KRUPER 1/93 CHK R HERSEY 1/93 APVD M ELLIS 1/93	Tyco Electronics Corporation Harrisburg, Pa 17105-3608				
FOR ADDITIONAL PRODUCT INFORMATION OR COPIES OF DRAWINGS AND TECHNICAL DOCUMENTS PRODUCT INFORMATION CENTER 1-800-522-6752	FOR APPLICATION TOOLING ASSISTANCE CENTER TOOLING INFORMATION 1-800-722-1111	VOLTAGE RATING: 600V MAX (BUILDING & WIRING) 1000V MAX (FIXTURES & SIGNS)	DIMENSIONS: INCHES	TOLERANCES UNLESS OTHERWISE SPECIFIED: 0 PLC ± - 1 PLC ± - 2 PLC ± 0.20[.008] 3 PLC ± - 4 PLC ± - ANGLES ± -	NAME SPLICE, WIRE, CLOSED END	SIZE A3	CAGE CODE 00779	DRAWING NO C-321519	RESTRICTED TO -	
FOR ORDER ENTRY 1-800-526-5142	THIS DRAWING IS A CONTROLLED DOCUMENT FOR AMP INCORPORATED. IT IS SUBJECT TO CHANGE AND THE CONTROLLING ENGINEERING ORGANIZATION SHOULD BE CONTACTED FOR THE LATEST REVISION.		MATERIAL - △2	FINISH - △3	WEIGHT -	CUSTOMER DRAWING		SCALE 4:1	SHEET 1 OF 1	REV Y